

Rack Mount and Table Top TGOC Analyzer

Heated THC FID VE 7

The VE7 19 inch/ 5 panel units high rack mount and table top heated emission analyzer designed for the continuous determination of the mass concentration of total gaseous organic carbon using the Flame Ionization Detector Method.

Throughout the EU the VE7 certified for QAL1 (EN 14181-EN ISO 14659), complies with with EN 12619:2013 and in USA with EPA Method 25A and Method 503



Low cost of ownership. Low fuel gas consumption. The combustion air supply for the FID detector is built in. No external cylinder for synthetic air is needed. To prevent well known HC hang up (memory effect) and related drifting, the heated sample line can easily be connected inside of the heated oven. This prevents any cold spot and any related Hydrocarbon condensation (Not available with OVE option) Optional NMHC cutter; Calculate non methane hydrocarbon concentrations. Officially confirmed identical construction to 3-300A and 3-200

General:

Confirmed by TÜV-Nord (Germany) to comply with EN 14181 and EN ISO 14956U). Complies with EN 12619:2013 (EU) and US-EPA Method 25A and Method 503 (USA). TÜV Nord officially confirmed identical construction to 3-300A and 3-200

With several thousand's of units sold, the VE7 is still our mostly distributed, most robust and cost effective heated FID analyzer in car emissions and source CEM's and stack testing worldwide

The J.U.M. Engineering HFID Model VE7 is time proven in over 49 years. It is a very highly reliable and outstandingly rugged 19" rack mount or table top heated total hydrocarbon (total gaseous organic carbon) analyzer. Built for very low drift, high accuracy, sensitivity and stability. The VE7 uses our proprietary hydrogen flame ionization detector (FID) in an oven at 190°C. Easy to service heated oven to prevent the loss of high molecular weight hydrocarbons and to provide reliable performance in the analysis of high concentrations down to very low trace concentration levels of gaseous organic carbon contaminants in emissions, air and other gases and high purity gases.

All sample containing parts and components are discretely integrated in that heated chamber. unique industry-wide the permanent heated sample filter is cleaned by back purging with compressed air or nitrogen. This allows uninterrupted measurements during cleaning the sample filter. While back purging the sample filter, the external sample line and sample probe are also cleaned. The use of a stack probe filter is not necessary when the FID is used in a stand alone mode. No filter back purge with option OVE7.

The combustion air supply for the detector is built in. No expensive zero gas generator or external cylinder for synthetic air is needed. The proprietary rear panel sample line adapter-plate system allows cold spot free coupling of a heated sample line inside of the heated oven without the need of special tools. The fittings can easily be accessed through a wrench port in the right side panel.

The standard analyzer is optimized to comply with EN-12619:2013 specifications. Several target optimizations for non EN-12619:2013 applications available.



Analyzer Features

- x Made in Germany
- x **1st Sampling Choice:** Maintenance free, permanently installed sample filter back purge system allows filter to be cleaned without dismantling (automatic back purge optional)
- x **2nd Sampling Choice:** Disposable sample filter which is easily accessible in the rear panel without special tools. This optional available feature **reflects a 20% price advantage.**

- x All components in contact with sample are fully heated and digitally maintained at 190 °C
- x Built-In sample pump
- x Built-in combustion air supply, no extra burner air bottle needed
- x Permanent 2 micron stainless mesh back purge sample filter or optional 2 micron disposable sample filter
- x "Overflow" calibration system for safe zero and span calibration
- x Automatic flame out alarm contact and optional available fuel shut off valve
- x Fast response less than 1 second @ sample inlet
- x Low fuel consumption @ 100% or 40/60 mixed fuel gases
- x Microprocessor PID type temperature controller
- x Cold spot free coupling of a heated sample line inside the heated oven with optional Adapter Plate (Not with OVE Option)
- x Remote control for sample, zero gas, span gas and back purge is standard
- x Automatic or remote range change optional
- x NMHC calculation: Methane Only cutter option for the calculation of non methane hydrocarbon concentrations

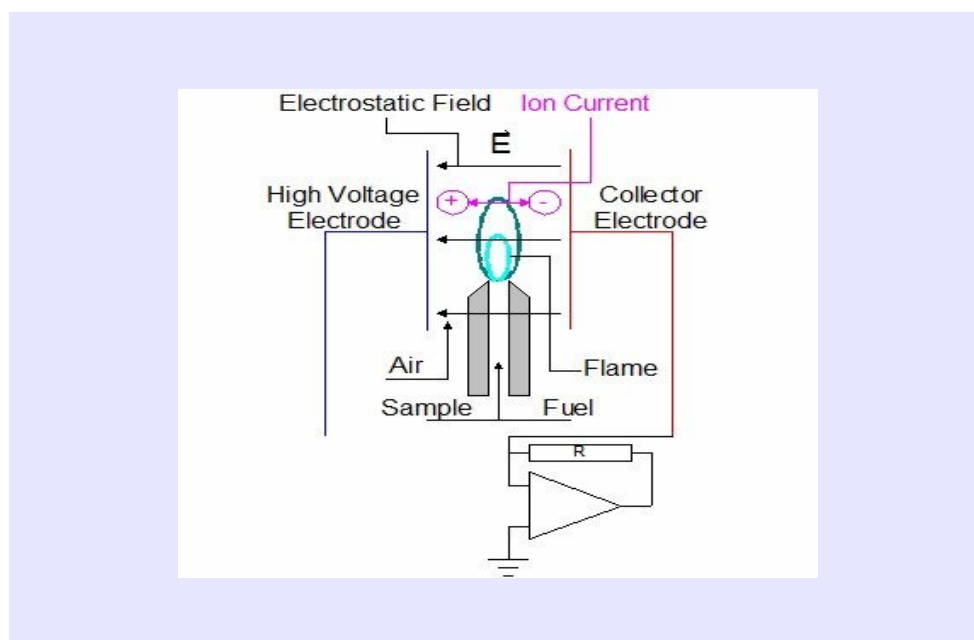
Applications

- x Compliance monitoring of source hydrocarbons following European EN 14181/ EN ISO 14659, EN 12619:2013 regulations and USA EPA Method 25A
- x Stack gas hydrocarbon emissions monitoring
- x Fence line (perimeter) monitoring
- x Solvent recovery monitor for carbon bed break through
- x Catalytic converter and thermal combustion testing
- x Carbon adsorption regeneration control
- x Measuring engine combustion efficiency
- x Raw exhaust vehicle emissions analysis
- x Hydrocarbon contamination monitoring in air and other gases
- x Detection of trace hydrocarbons in purity gases used in the semi conductor industry
- x LEL monitor of solvent laden air

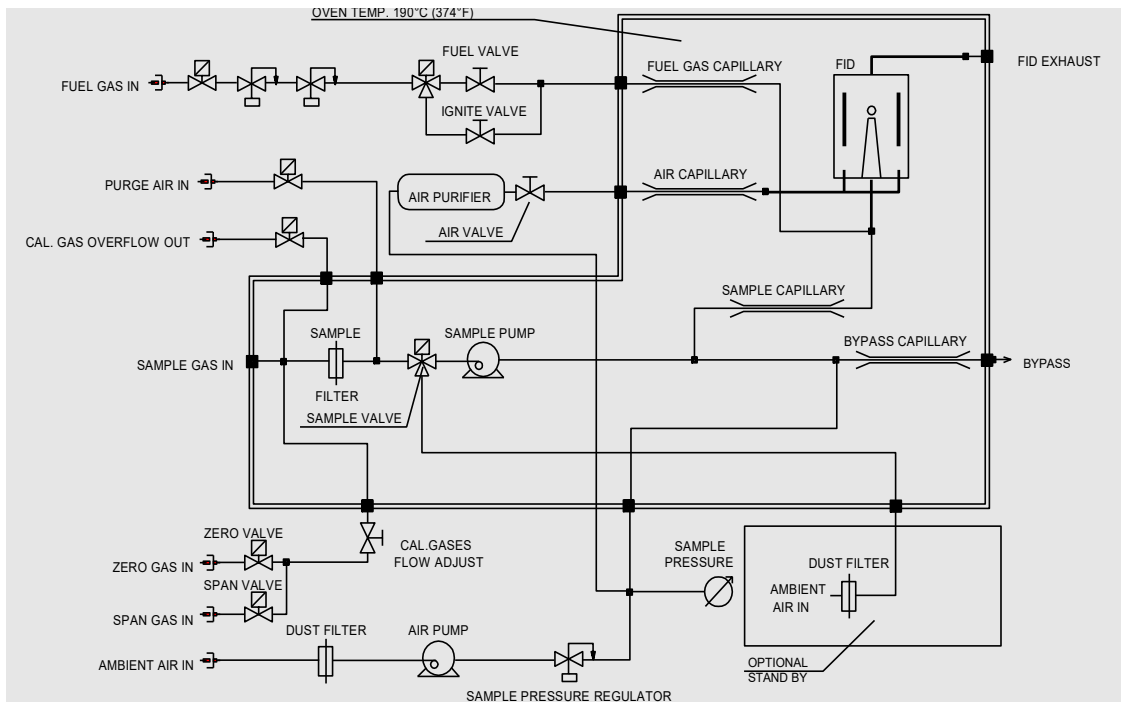
Principle of Operation

The Heated Flame Ionization Detection (HFID) method is used to determine the presence of total hydrocarbon concentrations in gaseous samples. Burning hydrocarbon-free hydrogen in hydrocarbon-free air produces a negligible number of ions in the detector as a base signal. Once a sample which contains any organic carbon matter is introduced into this flame, a very complex ionization process is started. This process creates a large number of ions. A high polarizing voltage is applied between the two electrodes around the burner nozzle and produces an electrostatic field. Now negative carbon ions migrate to the collector electrode while positive hydrogen ions migrate to the high voltage electrode. The so generated ionization current between the two electrodes is directly proportional to the hydrocarbon concentration in the sample that is burned by the flame. This signal is measured and amplified by a highly sensitive and stable electrometer amplifier unit. The FID response is linear over six orders of magnitude. The typical detection limit of the Detector is 100 ppb.

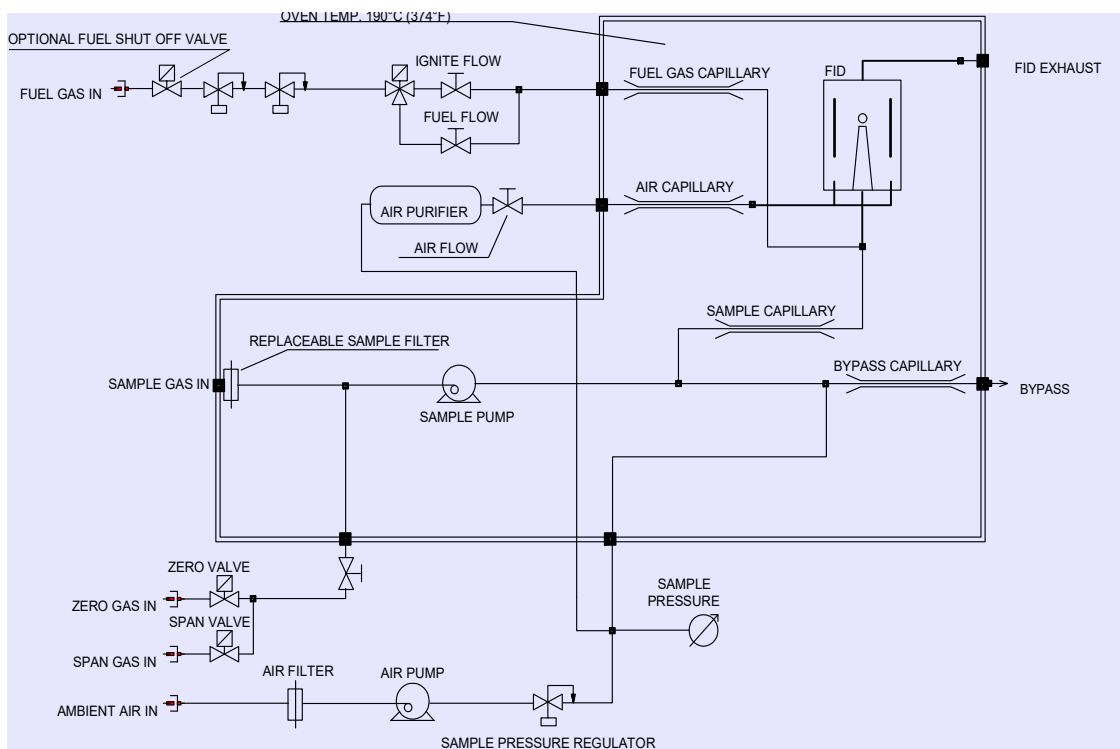
Our proprietary sample pressure regulator provides a controlled sample pressure and flow which gives admittance of a constant sample flow rate to the FID burner. This technique of using our non sample contact regulator is time proven for over 49 years by J.U.M. Engineering to provide the highest possible sample low flow rate stability at the lowest maintenance. Our compactly designed flow control module for fuel, ignition and air flow rates via low thermal mass needle valves use high precision pressure regulators. The needle valves are factory adjusted and sealed to ensure long lasting service life of the optimization of the burner.



VE7 Heated FID Total Gaseous Organic Carbon Analyzer



Complete Flow Diagram shown with Back Purge Sample Filter



Complete flow diagram shown with alternative low cost disposable sample filter Option OVE 7

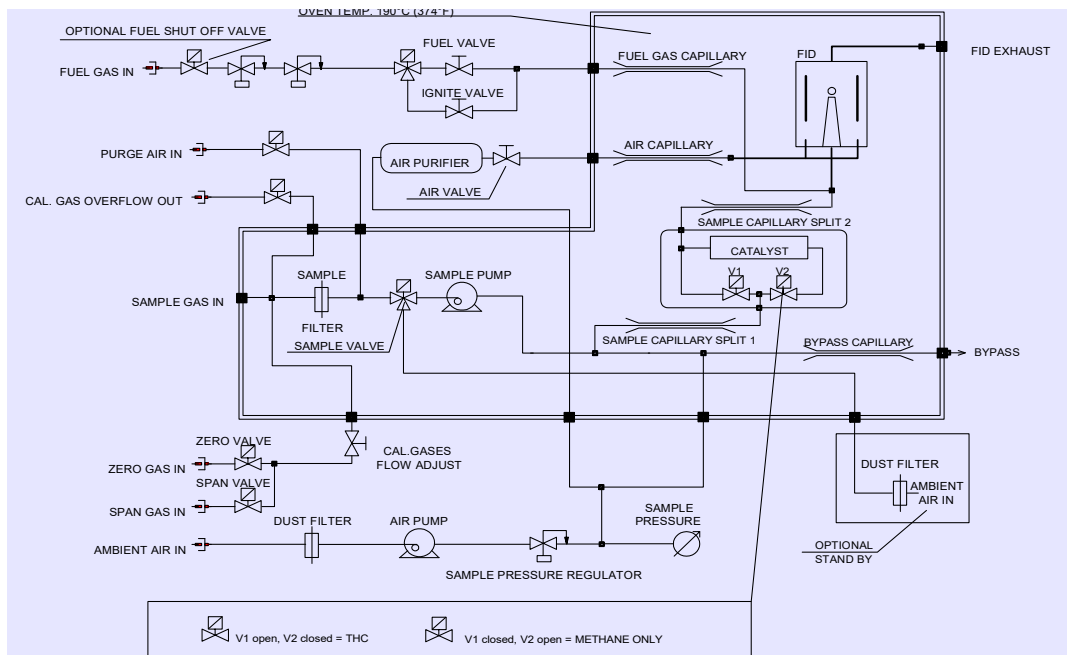
Optional ICM-7 NMHC Catalytic Converter for the selected measurement of Total Hydrocarbons or Methane only

The available Option ICM 7 is an internal catalytic Non Methane Hydrocarbon Cutter (NMHC) to measure alternately either THC or CH⁴ (Methane-Only) or called Total Gaseous Organic Carbon or Methane Carbon concentrations with the VE7 THC analyzer

The proprietary NMHC catalytic cutter converts organic carbon into CO₂ + H₂O. Thus at a presence of minimum 8% Oxygen content in the sample gas. The catalyst is positioned upstream the sample input into the detector. Measurements are performed by passing through the catalyst or by bypassing the catalyst. Selected by manually switching between the two modes, the sample flow is altered between the two streams of passing the catalyst or bypassing the catalyst via two 2/2 way direct acting solenoid valves with a minimum cycle time of 45 seconds per each stream. The cycle time is an operational parameter which can be performed manually by using a front panel toggle switch or by using an available external timing device which can be programmed by the operator between minimal 45 seconds to maximal 24 hours. Optimal catalyst performance is guaranteed by using a microprocessor controlled temperature stabilization to ±1°C. Zero calibration must be performed by using a zero grade Nitrogen gas. Span calibration is performed by using a Methane in Air Span Gas.

Technical Details ICM-7 for VE7 and VE7-OVE

- x Maximum sample inlet concentration should be less than 800 ppm CH₄ equivalent. For higher concentrations consult manufacturer.
- x Lower Detection Limit (LDL) +/-5% of range
- x Response time T₉₀ THC at sample inlet: <1,2 seconds
- x Response time T₉₀ CH₄ with cutter at sample inlet: <40 seconds



Complete flow diagram shown with ICM-7 NMHC cutter option in standard analyzer

Technical Specifications

Method	Heated Flame Ionization Detector (HFID)
Sensitivity	Max. 1 ppm CH ₄ full scale with optional range
Response time	@ sample inlet <0.2 seconds
t ₉₀ time	@ sample inlet <1.2 seconds
t ₉₀ time including 7,5 meter 4X6mm sample line	Including heated sample line (7.5m) and sample probe filter: less than 8 seconds
Zero drift	<2% full scale / 24h
Span drift	<2% full scale / 24h
Linearity	Up to 10.000 ppm full scale within 1.5%
Oxygen synergism	< 2% FSD
Measuring ranges (ppm)	0-10,100, 1.000, 10.000, 100.000, others on request. Front panel turn switch, automatic or remote optional
Signal outputs	0-10 VDC, 4-20 mA, including RS-232 data output
Display	Standard 3 1/2 digit DVM. Optional 6- digit direct reading ppm units capability to measure 3 overlapping ranges without range change
Total sample flow through	2.5 to 2.8 l/min capacity @ operating temp.
Sample filter	Permanent 2 micron mesh filter, cleaned by back purge with compressed dry air or N ₂ . Alternatively disposable change filter in oven reachable via rear panel (Option OVE 7)
Zero and Span gas	Front panel switch select and remote control, gas inlets on rear panel
Zero and span adjust	Manual duo dial on front panel
Fuel gas choice	<ul style="list-style-type: none"> x Standard 100% H₂, consumption approx. 20 ml/min x Optional 40%H₂/60%He, consumption approximately 90 ml/min x Optional 40%N₂/60%He, consumption approximately 90 ml/min
Burner air consumption	Built in burner air supply. No external cylinder air needed. Generated amount approximately 130 ml/min. At 40/60 mixed fuels the air flow is approx. 220 ml/min
Oven temperature	190°C (374°F)
Temperature control	micro-processor PID controller
Power requirements	230VAC/50Hz, 850 W. 120 VAC/60Hz optional
Ambient temperature	5-43°C (41-110°F)
Dimensions (W x D x H)	483 mm (19") x 460 mm x 221 mm
Weight	approx. 22 kg (50 lbs)



Available Options

OVE 7	Quick change disposable 2 micron sample filter housed in the heated oven in stead of back purge sample filter (<u>reflects a 2.900 Euro price advantage over the VE7 list price</u>)
AMU 7	Automatic controlled range change with range identification
APO 7	Automatic sample filter pack purge; Internal, easily programmable back purge timing system for back purge time and purge sequence sequence
AZM 7	Automatic flame ignition and re-ignition
ENGA 7	6-digit engineering units display 0-100.000 ppm (or others) with RS232 data output. 24 bit resolution allows to digitally measure throughout 2 to 3 measuring ranges without range change
FOAS 7	Flame out control with automatic fuel shut off valve
HBPR 7 *	Fully heated sample back pressure regulator allows to run analyzer in closed loop sampling mode, e.g. for SHED applications
ICM 7 **	Built-in NMHC Cutter, measure either THC or Methane-Only concentrations with one analyzer, controlled by manual switch or remote relay contact
LTO 7	Measurement of low trace hydrocarbon levels up to 0 to 1 ppm full scale. Requires external, zero grade combustion air supply
MBP 7 ***	Integrated bypass pump for very long sample lines, also compensates sample pressure fluctuations of up to 2 bar at sample inlet
RCA 7	0-20mA analog output instead of 4-20mA
RCC 7	Remote controlled range change with range identification (dry contact)
RC10 7	0-20 mA analog output, galvanic isolated
RC14 7	4-20 mA analog output, galvanic isolated
FSS 7:	Especially Low pressure, 50 liter metal hydride hydrogen fuel purifying storage cartridge including mounted pressure regulator and pressure gauge on female 1/4" Swagelok quick connector. Refill from large cylinder is safe and can be made with standard 0 to 15 bar gas cylinder regulator.
UFS 7:	Hydrogen Recharging Set; Pressure regulator for high pressure hydrogen cylinder equipped with Swagelok® flow through quick connector.



For sporadic or short time mobile measurement applications:

Low pressure Metal Hydride fuel gas purifier. Allows approximately 35 hours of uninterrupted measurements.

See Questions & Answers Next Page:

Questions and Answers about the low pressure Rechargeable Hydrogen gas filter and storage system

Q: Is the new fuel gas filter storage a high pressure cylinder?

A: Actually no, it is not! The new hydrogen FID Fuel Gas filter which stores Hydrogen as Metal Hydride. It is charged at a low pressure of 1 MPa (10 bar), operating at pressures below 0.08 MPa (8 bar). It purifies contaminated Hydrogen to a very high 5.0 gas purity (99.000) The gas filter is very safe and withstands pressures of over 200 bar.

Q: Is the used filter storage a pressurized gas tank?

A: No, it is not a pressurized gas tank. In this system hydrogen is purified and stored in form of solid metal powder which chemically reacts to metal hydride when it is contacted with hydrogen gas.

Q: How could I know when I used up the purified hydrogen, and need to recharge?

A: If the FSS 9 uses a pressure regulator pressure to indicate the outlet pressure on its miniature pressure gauge. If the system is used correctly without a leak, the pressure in the storage drops below 0.15 MPa (1.5 bar) after approx. 20 hours and the FID flame(s) slowly will go out. If no optional FDR 9 pressure regulator with pressure gauge is used, an elapse of approximately 20 hours after correct charging is a good indicator to recharge the system. Any pressure gauge in the fuel line can be used as an indicator.

Q: Can your new gas filter system store gases other than Hydrogen?

A: No, it is strictly designed to store and purify Hydrogen gas.

Q: What will happen if system is charged with other gases than Hydrogen?

A: In practice it will then work just like a pressurized tank. However, if the stored gas is another one than Hydrogen it will destroy the dense filling of metal alloy powder and the storage will no longer purify and hold hydrogen gas properly.

Q: Is a pressure regulator required while using your new hydrogen storage system?

A: Even though that the internal regulator of the analyzer can handle the raw cartridge pressure, we strongly suggest that the offered FDR 9 pressure regulator for the cartridge is always being used.

Q: How long does it take to charge/recharge an empty cartridge?

A: Recharging is simple and fast. Shortest case charge time is around 60 plus minutes to charge at a pressure of 10 to 12 bar (1 to 1.2 MPa) at ambient air temperatures. Best charging results are reached after a couple of hours when the cartridge has reached room temperature. Any standard hydrogen pressure regulator with an adjustable output range of 0 to 15 bar (0-15 MPa) or some higher can be used for charging.

Q: What is the typical life span of the hydrogen storage system?

A: As purer the charged hydrogen gas is as higher is the life span of the system. When it is always being charged with r higher quality purity hydrogen, the charge/discharge quantities can come to 9'000 cycles which count to less than 10% decay in storage capacity. In fact, it can be considered as a limitless refillable tool.

J.U.M.® Engineering GmbH

Gauss-Str. 5, D-85757 Karlsfeld, Germany

Tel.: 49-(0)8131-50416

E-mail: info@jum.com

Internet: www.jum.com

© J.U.M. Engineering 2011/2024
Approved Print Date: March 2024

We reserve the right of having printing errors, falsities and technical changes